

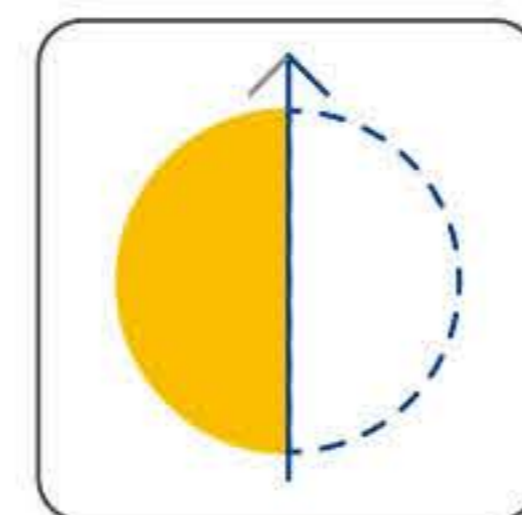


S100-BiColor / S100-C BiColor

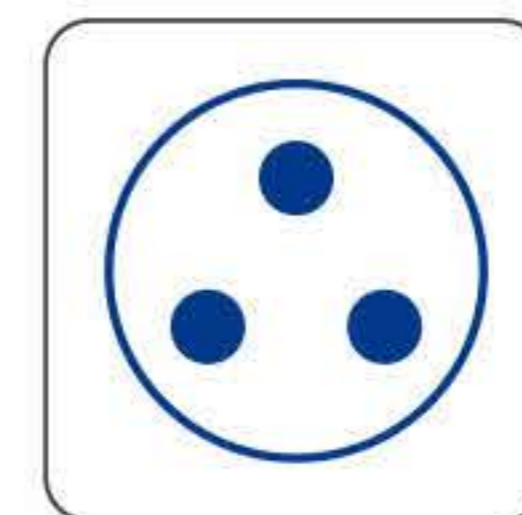
100W 2700K-6000K Manual Control / Console Control



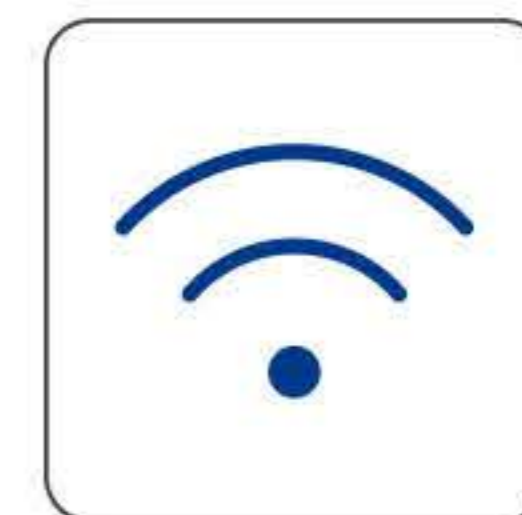
DIMMING



Bicolor



DMX512

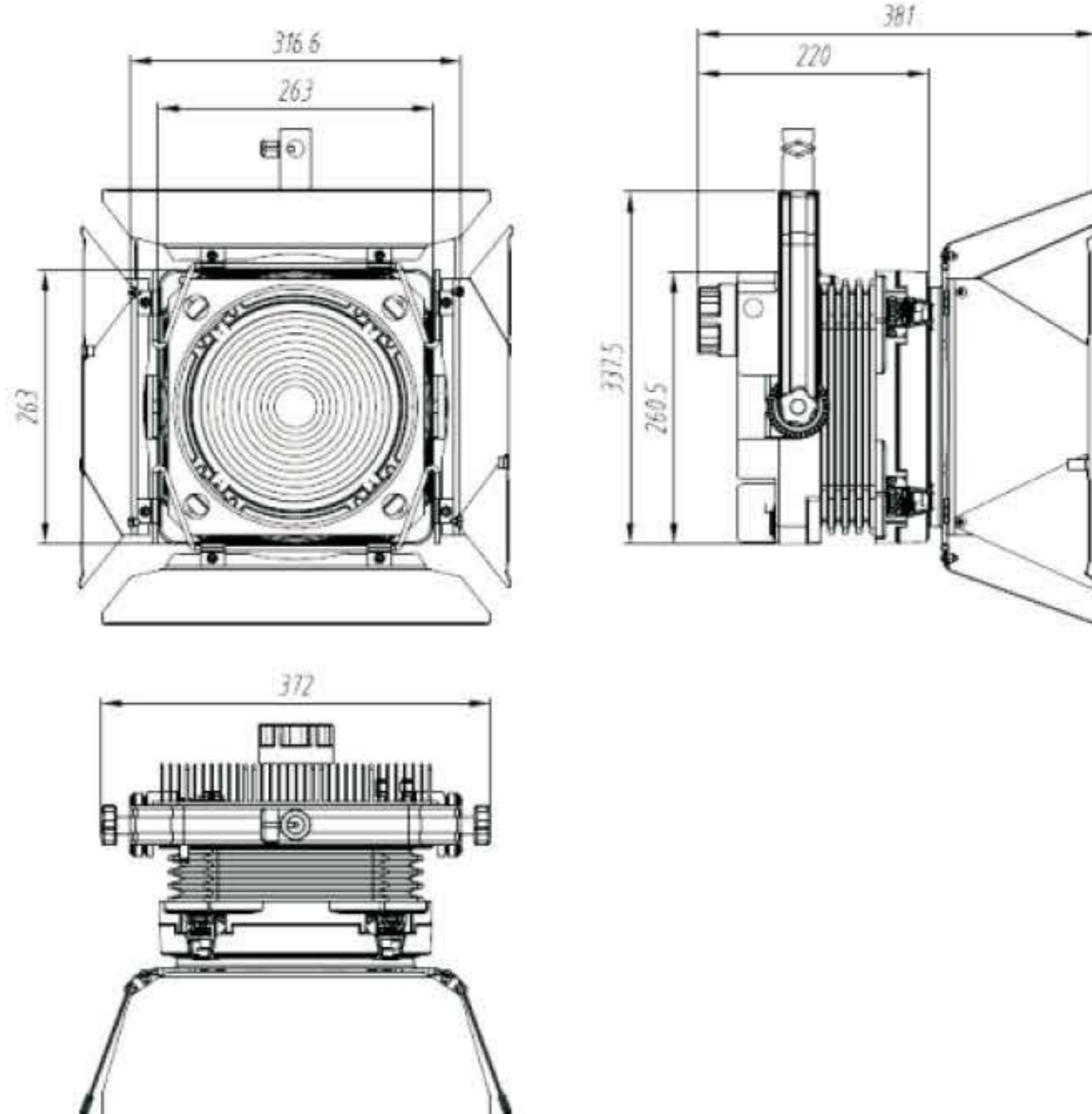
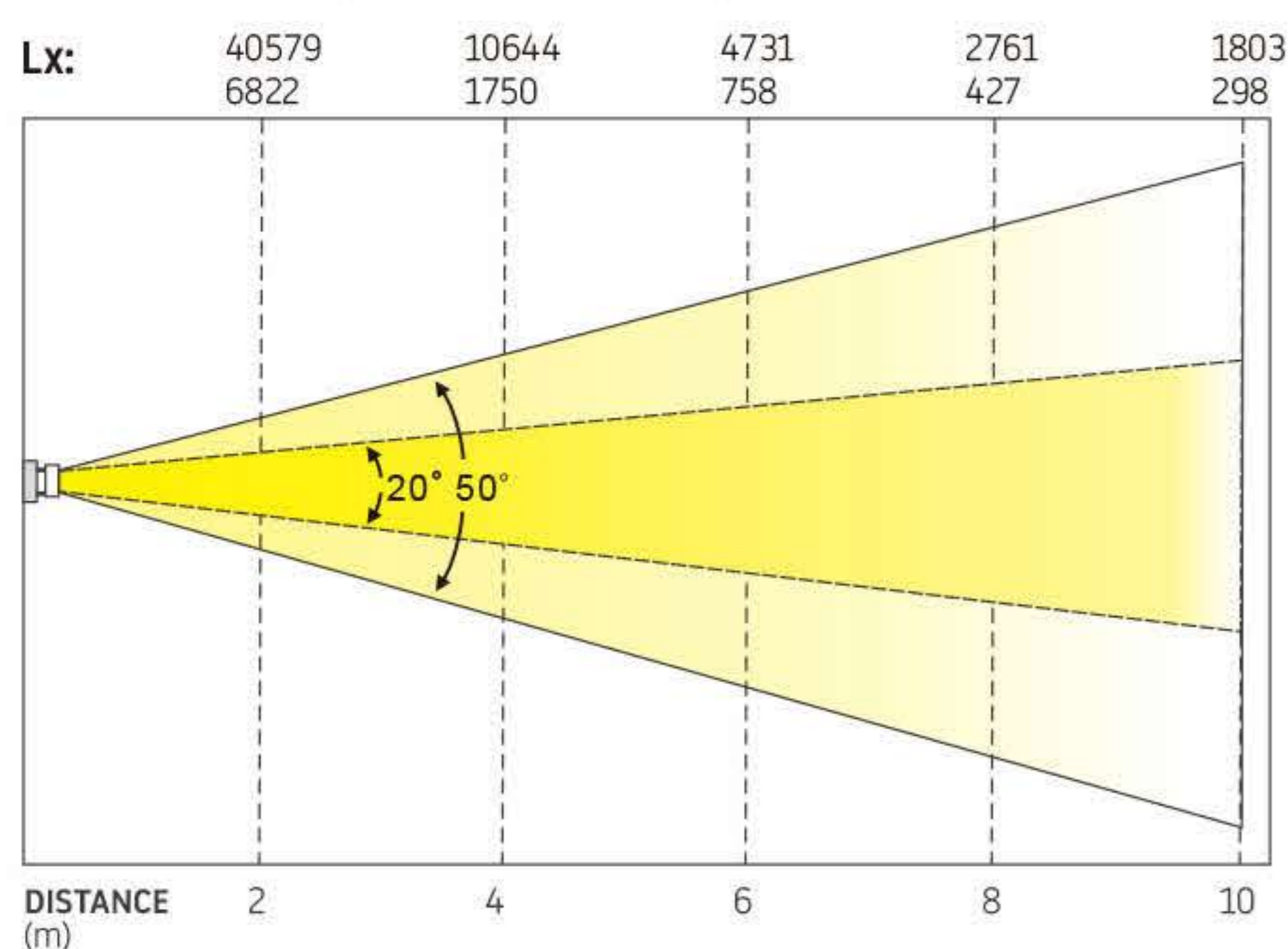


WIRELESS

FEATURES

- Unique focus adjustment mechanism, small-sized, light weight
- High CRI LED module as the optics element, high luminous efficiency & good color rendering
- Cooling system adopting natural cooling mode, fanless & no noise
- Optical system adopting high-quality fresnel lens, wide range of beam angles, high illumination, uniform spot, flooding mode comparable to panel light
- Manual or console control focus adjustment
- Three control modes : DMX512, DMX512 Wireless & Art-Net Network, the light outputting DMX512 signal at DMX512 Wireless or Art-Net Network mode to control the adjacent light and equipment
- Freeze when losing control signal
- Barn doors can be folded, light route can be controlled more conveniently & accurately, no stray light
- Suitable for face lighting, shape & side lighting in the studio, especially in the site requiring flood lighting from a long distance e.g. full scenery open studio

100W LED Spotlight Illumination Diagram



SPECIFICATIONS

Power Supply:	AC110V-240V 50/60Hz
Power Consumption:	100W
Channel:	Single or Dual
Control Mode:	Three control modes - DMX512, DMX512 Wireless & Art-Net Network, the light outputting DMX512 signal at DMX512 Wireless or Art-Net Network mode
Control Signal Loss Measure:	Freeze when losing control signal
Dimming:	0 to 100% continuous, smooth
Focus Adjustment:	Manual or Console Control
Beam Angle:	20°-50°
Color Temperature:	2700K-6000K
CRI:	Ra > 95
Cooling:	Fanless
Barn Doors:	4-way folded
Weight:	6 Kg.
Dimension:	372 x 337.5 x 220mm