

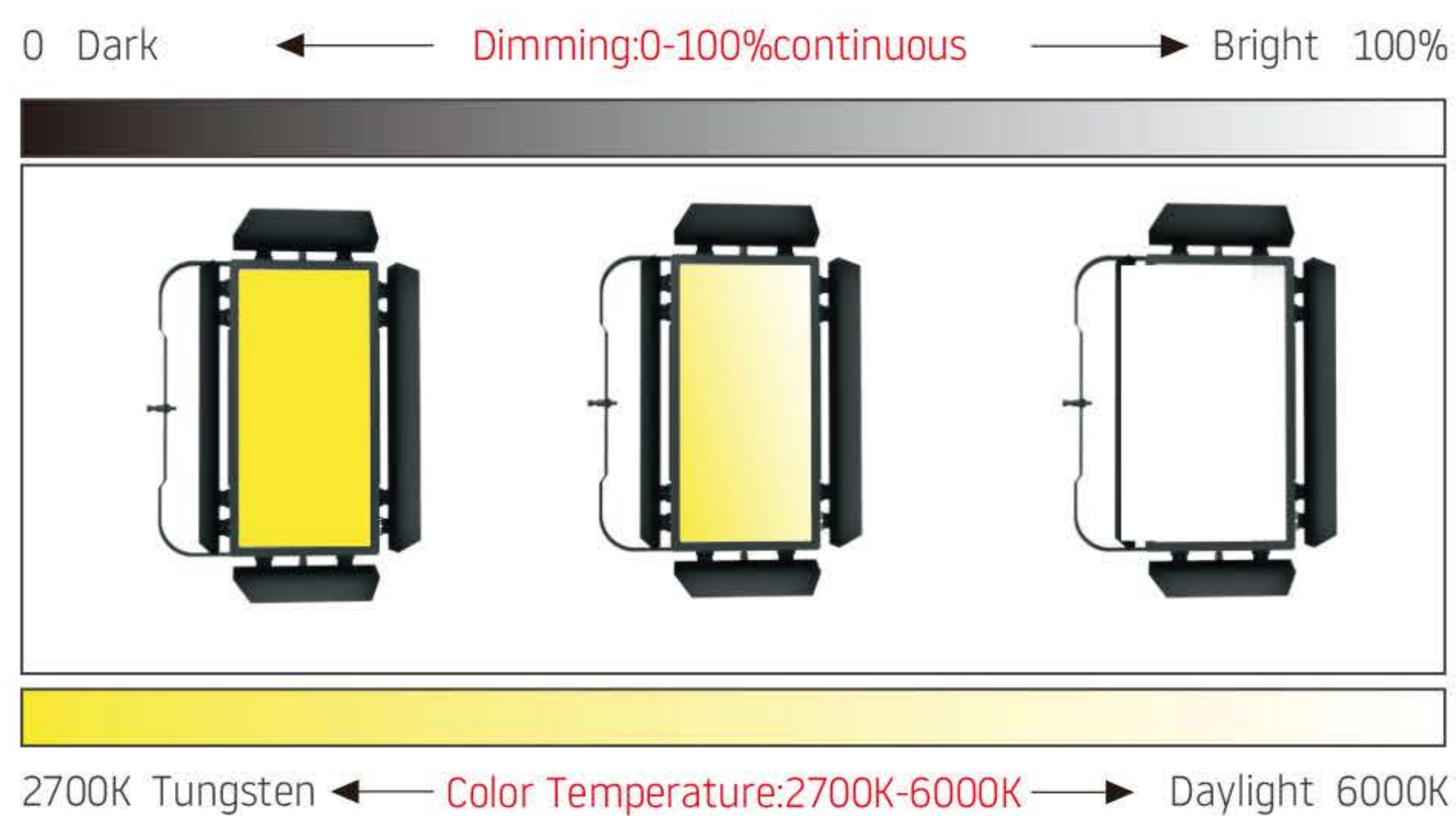
# P100-BiColor

100W 2700-6000K Manual Control

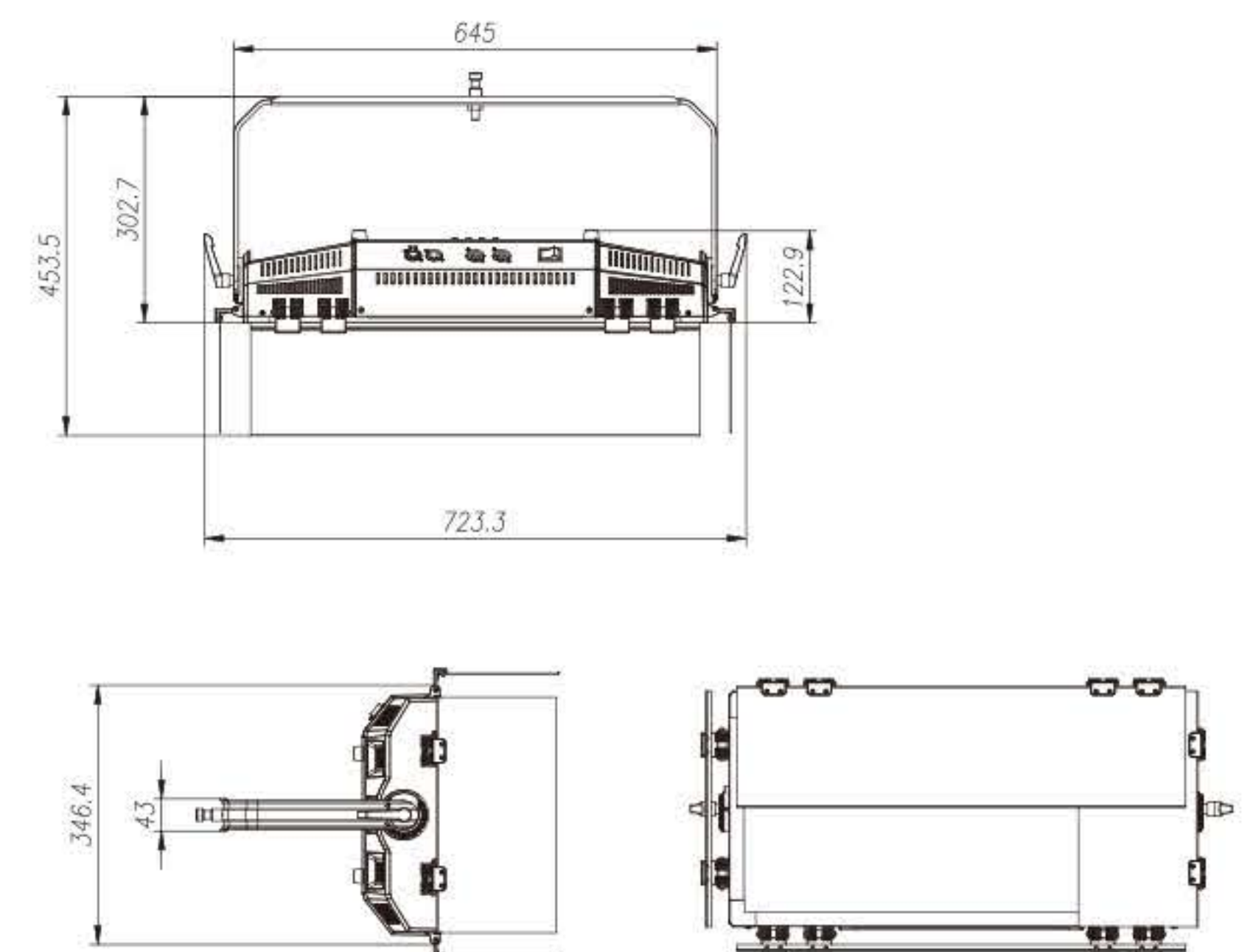
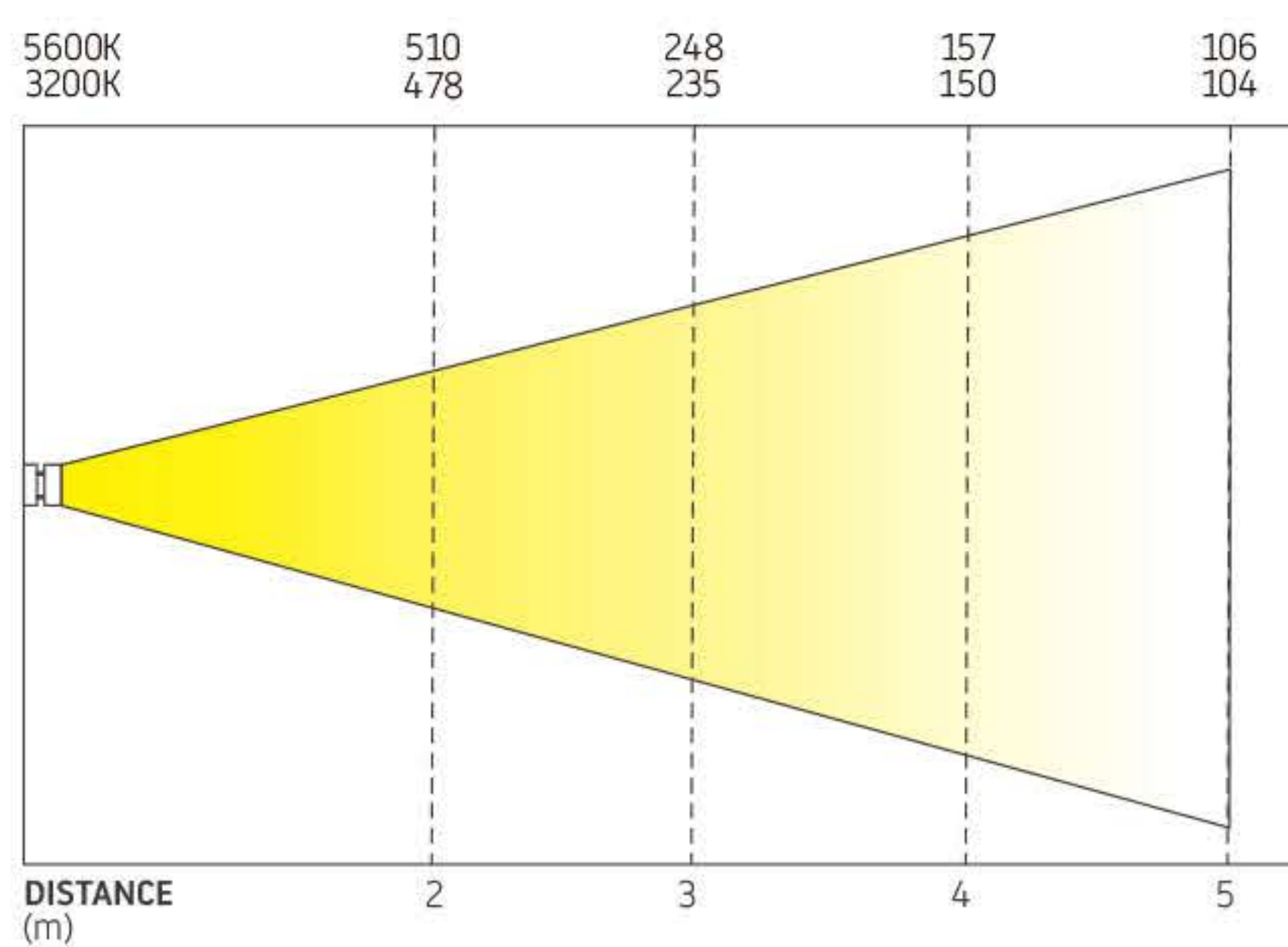


## FEATURES

- High CRI LED module as the optics element, high luminous efficiency & good color rendering
- 2700K-6000K color temperature
- Advanced fanless & no noise cooling technology
- Hi-pass soft light board, high luminous efficiency & uniform spot
- DMX512 signal control, 0—100% linear smooth dimming
- Freeze when losing control signal, guaranteeing no blackout
- Wide beam angle, soft light spot & no glare
- Long life, significant power saving, ideal replacement of traditional tri-phosphor cold light



100W LED Panel Light Illumination Diagram



# P100-P BiColor

100W 2700-6000K Pole Control



## SPECIFICATIONS

<b>Power Supply:</b>	AC100-240/ 50-60Hz
<b>Power Consumption:</b>	100W
<b>Power Connection:</b>	PowerCon In/Out
<b>Signal Connection:</b>	5-pins XLR connector
<b>Driving Mode:</b>	Constant current
<b>Color Temperature:</b>	2700K-6000K
<b>CRI:</b>	Ra> 90
<b>Fixture Temperature:</b>	<55°
<b>Dimming:</b>	0—100% linear, smooth
<b>Control Mode:</b>	Standard DMX512, manual control or pole control
<b>DMX512 Channel:</b>	1
<b>Dimensions:</b>	Referring to Diagrams(mm)
<b>Cover Color:</b>	Black