

# P100

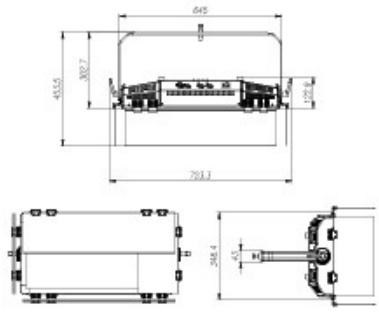
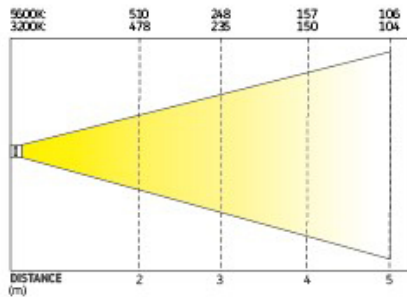
100W 5600K Manual Control



## FEATURES

- High CRI LED module as the optics element, high luminous efficiency & good color rendering
- 5600K color temperature
- Advanced fanless & no noise cooling technology
- Hi-pass soft light board, high luminous efficiency & uniform spot
- DMX512 signal control, 0–100% linear smooth dimming
- Freeze when losing control signal, guaranteeing no blackout
- Wide beam angle, soft light spot & no glare
- Long life, significant power saving, ideal replacement of traditional tri-phosphor cold light

100W LED Panel Light Illumination Diagram



DIMMING



DMX512



DAYLIGHT

# P100-P

100W 5600K Pole Control



## SPECIFICATIONS

Power Supply:	AC100-240/ 50-60Hz
Power Consumption:	100W
Power Connection:	PowerCon In/Out
Signal Connection:	5-pins XLR connector
Driving Mode:	Constant current
Color Temperature:	5600K
CRI:	Ra>90
Fixture Temperature:	<55°
Dimming:	0–100% linear, smooth
Control Mode:	Standard DMX512, manual control or pole control
DMX512 Channel:	1
Dimensions:	Referring to Diagrams(mm)
Cover Color:	Black